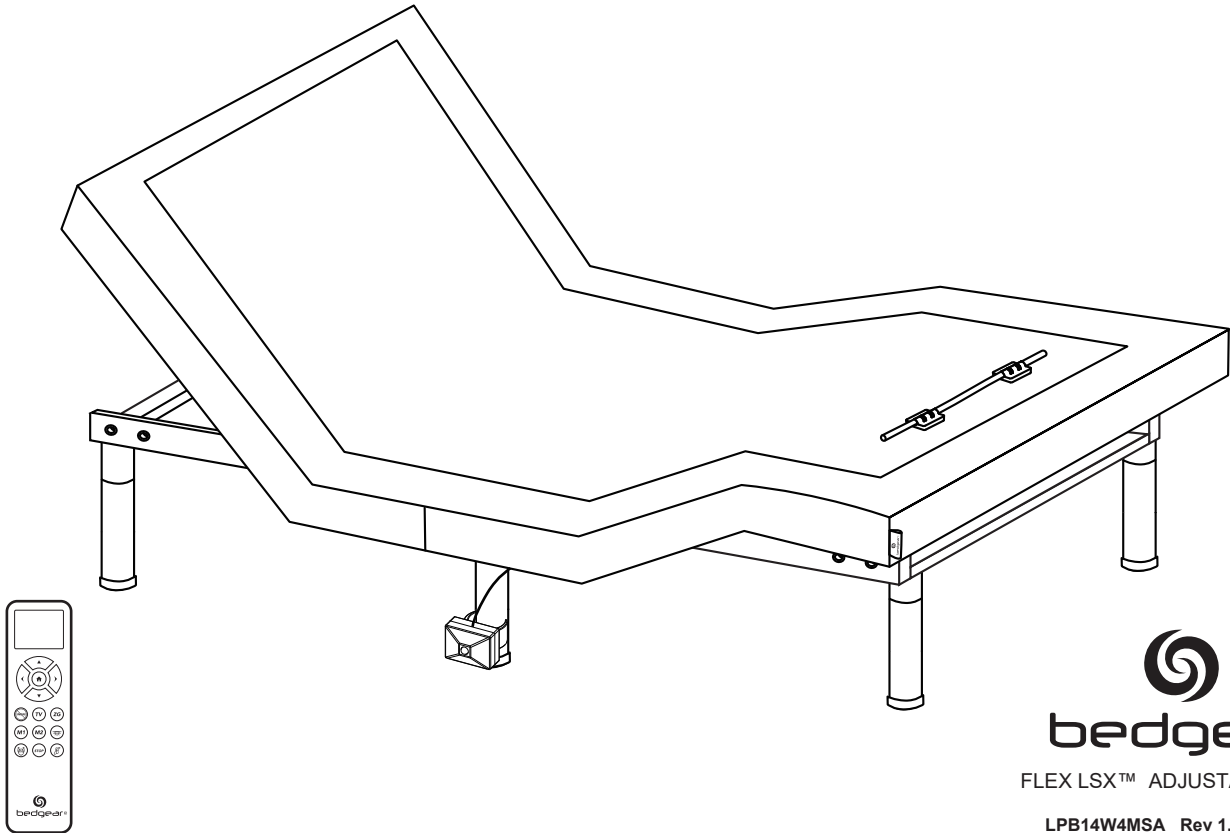


FLEX LSX™ OWNER'S MANUAL





bedgear®
FLEX LSX™ ADJUSTABLE BASE
LPB14W4MSA Rev 1.0 07/2021

Safety & Warranty Warnings

IMPORTANT SAFETY NOTICE:


READ CAREFULLY BEFORE BEGINNING ASSEMBLY!

- Always use proper tools.
- Follow the assembly steps in order. Do not skip any steps.
- Be sure to check all packing materials carefully for small parts may have come loose inside the carton during shipment. If parts are missing, contact the retailer from which you purchased the product to obtain any missing parts.
DO NOT USE SUBSTITUTE PARTS.
- Periodically check to ensure that all connectors (bolts, screws, etc.) are tight.
- Keep the instructions for future reference.
- Always make sure the electrical cord is unplugged before assembly and be careful not to twist the electrical cord during assembly.

 **NOTE:** BEDGEAR DISCLAIMS ANY LIABILITY FOR DAMAGES OR INJURIES WHICH MAY OCCUR DUE TO FAILURE TO PROPERLY FOLLOW ASSEMBLY INSTRUCTIONS, PROPERLY ASSEMBLE THE PRODUCT, OR PROPERLY USE THE PRODUCT.




NOTE: YOUR UNIT MAY LOOK DIFFERENT IN APPEARANCE FROM THE ONE SHOWN IN THE ILLUSTRATIONS ON THIS INSTRUCTION SHEET.

CAREFULLY READ THE FOLLOWING INFORMATION BEFORE USING THIS PRODUCT

 Failure to read, understand and follow all warnings and instructions may result in property damage, personal injury or death. If unable to understand warnings, cautions, and/or instructions, contact the dealer or technical personnel if applicable, before attempting to assemble, install or use the equipment.

SAFETY WARNINGS:

- Do not use adjustable base outdoors.
- Do not use adjustable base near any flammable chemicals, vapors or compounds.
- This appliance is not intended for use by persons (including children) with reduced physical, sensory or mental capabilities, or lack of experience and knowledge, unless they have been given supervision or instructions concerning use of the appliance by a person responsible for their safety.
- Do not allow any person or pet under the adjustable base at any time.
- During bed operation, make sure body is positioned within the confines of the bed.

   **WARNINGS:** Clear area below adjustable base before lowering the base to reduce risk of injury or death.

WARNING:

- Keep bed in a flat position when not in use.
- Stay clear of moving parts while in motion.
- Before adjusting, make sure children and pets are clear of moving parts and are not under bed base.
- Do not allow children to operate bed base without adult supervision.
- Always unplug the base from the electrical outlet before servicing any part of the base. To reduce risk of electric shock, unplug the base before cleaning. To safely disconnect, ensure the base is in a flat position with all motors off, and unplug from power source.
- For optimal safety and operation, plug bed base into a surge protector (not included). The bed base should only be plugged directly into a grounded wall outlet or surge protector (strongly recommended). Improper connection of the equipment can result in the risk of electrical shock, electrical fire or faulty operation of this bed base. If the plug does not fit your outlet, contact a qualified Electrician to install a suitable outlet.

PETS AND CHILDREN:

Immediately dispose of all packing materials as it may pose a smothering risk to small children and pets. To avoid injury, it is not advised to allow children and small pets to play on or under the bed. Children should not operate the bed base without adult supervision.

PACEMAKERS:

Some products contain Neodymium MAGNETS which may interfere with devices such as pacemakers, ICD's and any other device sensitive to magnetic fields. It is STRONGLY recommended that owners of such medical devices consult their physician prior to using products that contain Neodymium MAGNETS. It is also possible that some pacemakers may falsely interpret the optional massage feature vibrations as movement/exercise. This is a common occurrence with any product that creates a vibrating movement and may not affect the pacemaker. Please consult your physician before using the massage feature.

WARRANTY WARNINGS:

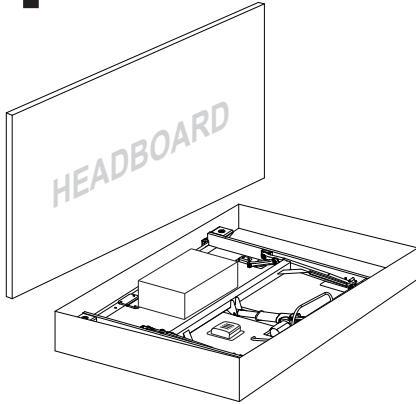
Tampering with or opening the control box, motors, or remote control (with the exception of replacing batteries) will void the warranty.

OPERATING INFORMATION:

- After adjustable base assembly is completed, operate remote control to ensure proper functions before occupying the bed.
 - Keep moving parts free of obstruction during adjustable base operation (including sheets, clothing, tubing, wiring, and products using electric power cords).
 - Distribute body weight evenly over bed surface during operation.
- Do not operate the bed while sitting directly on the head or foot sections of the bed.

Set up the adjustable base without the bed frame.

1 Open the box lid.



2 Take out all the accessories from the packaging and put them aside. All electronics and components that need to be installed are located in boxes under the foundation or attached to the frame. Before discarding the packing materials, ensure that all the parts are accounted for.

Mattress Retainer Bar



x1(2 for K/CK)

Flat Mattress Retainer Bar
(Exclusively for BEDGEAR Mattresses)



x1

Accessories Box



x1

ACCESSORIES BOX:

Adjustable Legs



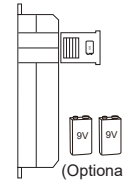
x6

Remote Control



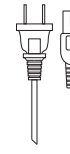
x1

Power Supply with Battery Backup Box



x1

AC Power Cord



x1

Sync Cord
(TXLT/CKS Only)



x1

AAA Batteries



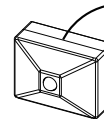
x3

Mounting Bracket



x2

Motion Sensor

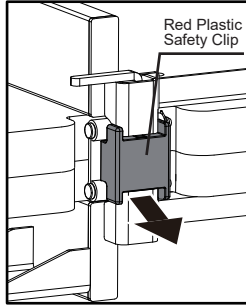


x2

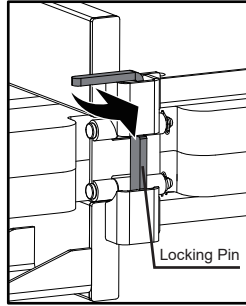
3

Remove the red plastic safety lock before unfolding your adjustable base.

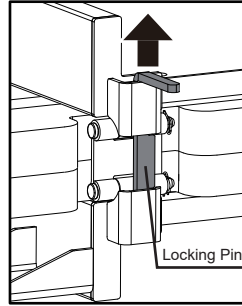
Remove the red plastic safety clip.



Turn the locking pin 90° in counter clockwise direction.

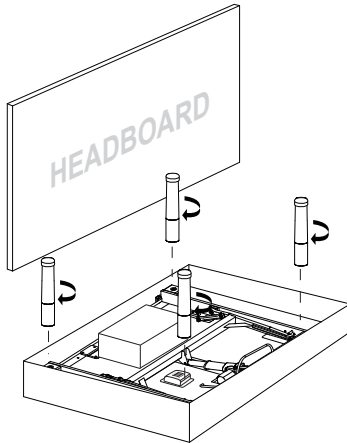


Remove the folding locking pin by pulling upwards.



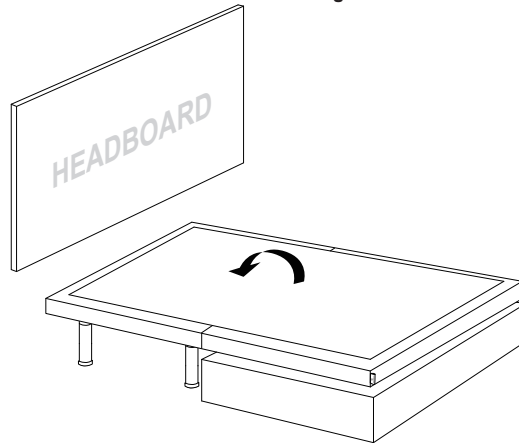
4

Install 4 legs; make sure the legs are tight.



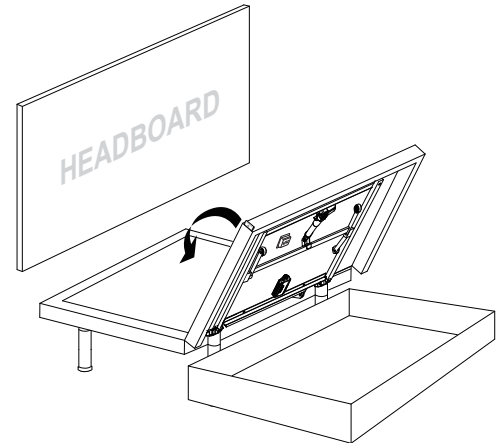
5

Remove the bed from the box with a flipping motion; let the bed stand on the 4 legs.



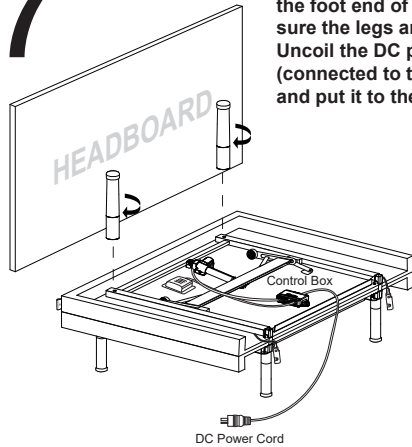
6

Flip the foot end of the bed from the box and lay it on top of the end at the headboard.



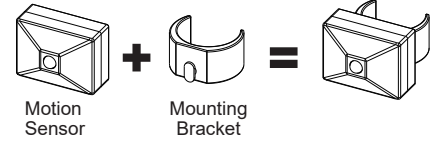
7

Install the remaining 2 legs on the foot end of the bed; make sure the legs are tight. Uncoil the DC power cord (connected to the control box) and put it to the side of the bed.



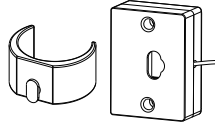
8

Motion sensor installation

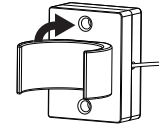


Prepare The Motion Sensor Hardware.

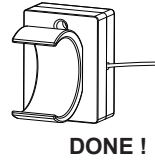
STEP 1: Connect the motion sensor to the mounting bracket.



STEP 2: Rotate the mounting bracket 90 degrees clockwise

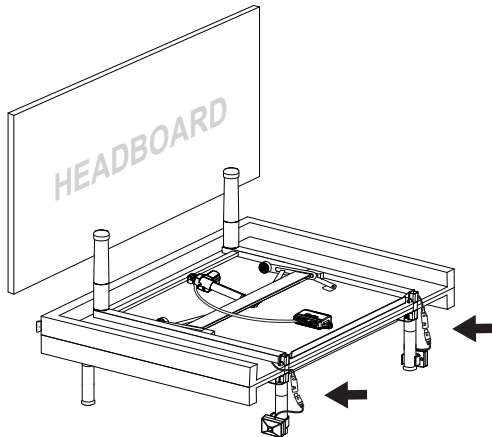


STEP 3:

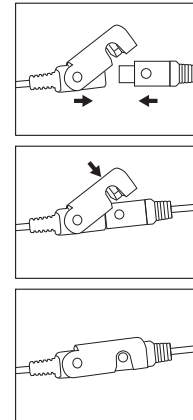


Connect The Motion Sensor Connectors.

STEP 1: Clip the mounting bracket onto the center adjustable legs as illustrated.

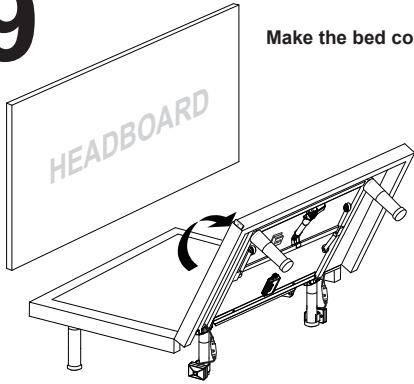


STEP 2: Connect the motion sensor connectors as illustrated. Note there are two connectors: one on each side of the bed.



9

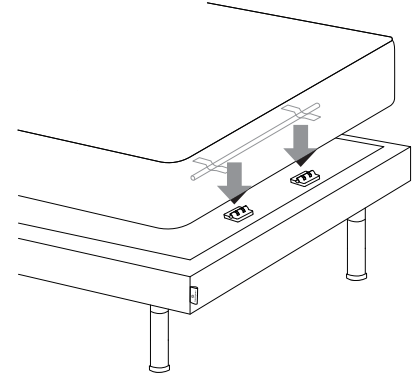
Make the bed completely flat.



10

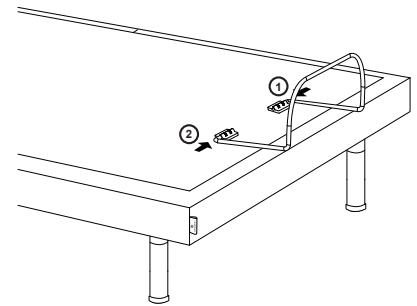
Installation method 1:
(Exclusively for BEDGEAR Mattresses)

Insert the flat mattress retainer bar into the securing strap at the bottom of the BEDGEAR mattress and then snap it into the mattress retainer mounts.



Installation method 2:

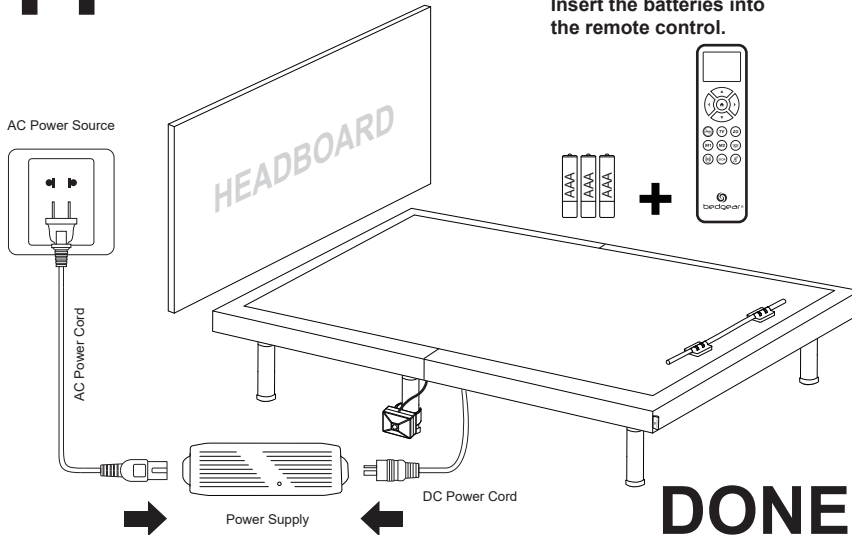
Alternatively, install the mattress retainer bar one side after another for non-BEDGEAR mattresses.



11

Uncoil the AC power cord, connect the DC power cord to the power supply and then connect the power supply to the AC power source.

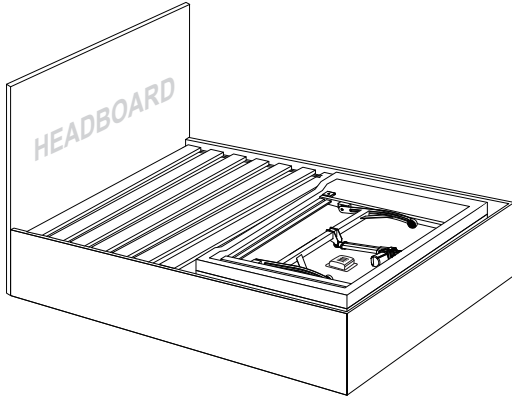
Insert the batteries into the remote control.



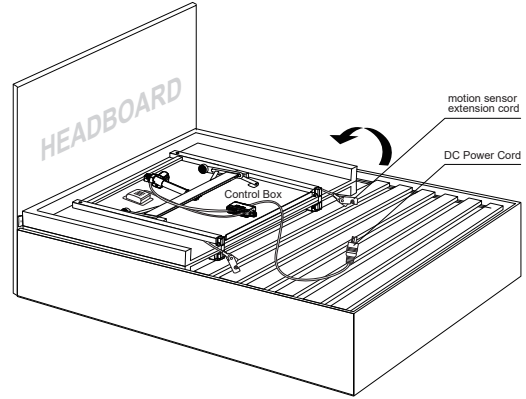
DONE!

Set up the adjustable base with the bed frame and slat base.

- 1** Take the bed out of the box, put it on the slat base and do not install any legs.

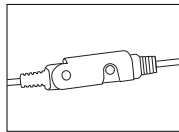
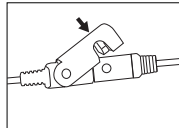
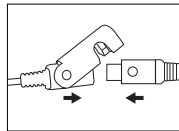
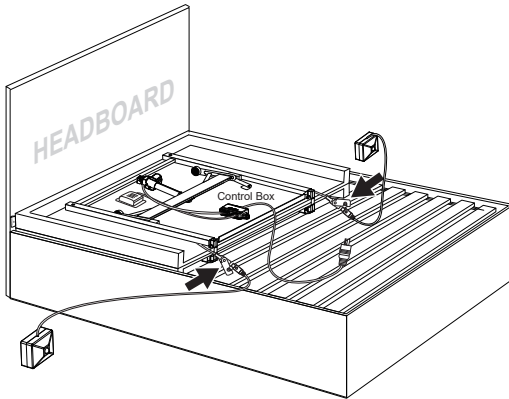


- 2** Turn over the bed. Uncoil the DC power cord.

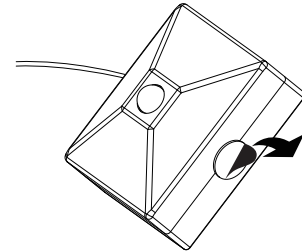


- 3** Motion sensor installation

STEP 1: Connect the motion sensor connectors as illustrated.

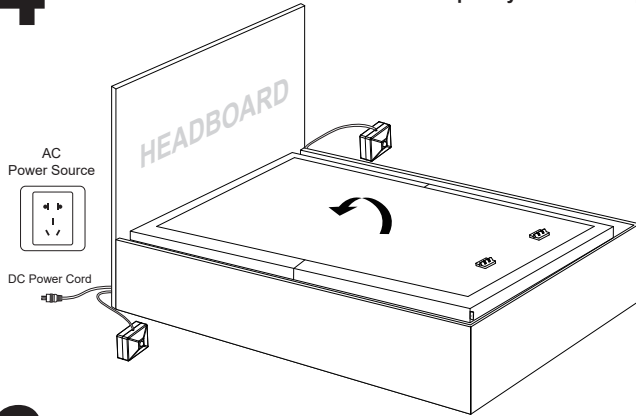


STEP 2: Use the double-sided tape to secure the motion sensor when necessary.



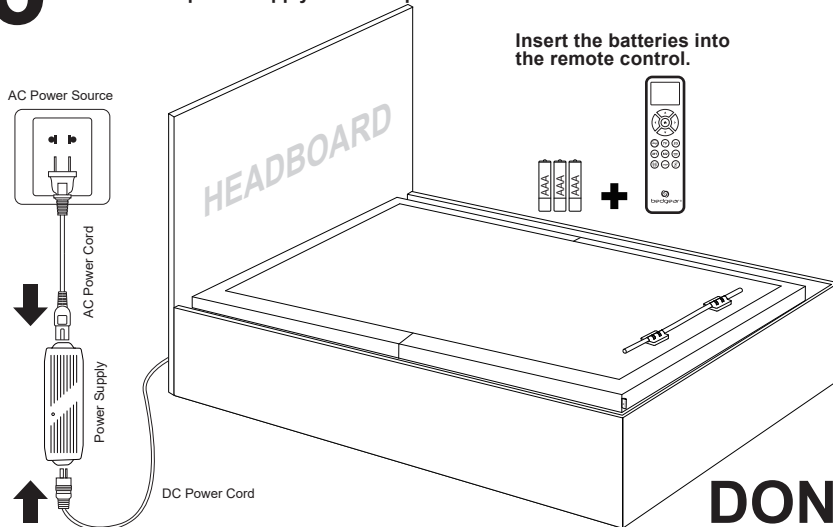
4

Pull the DC power cord toward the direction of the AC power source through either the bottom or the side of the bed frame. Pull the two motion sensors to the two sides of the bed frame. Make the bed completely flat with a flipping motion.



6

Uncoil the AC power cord, connect the DC power cord to the power supply and then connect the power supply to the AC power source.

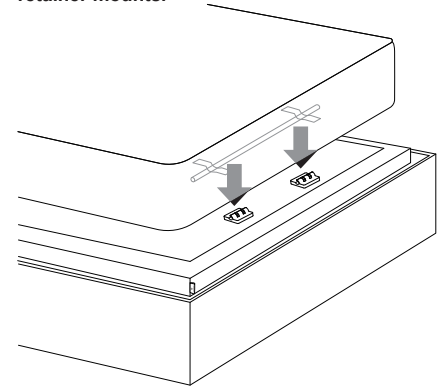


DONE!

5

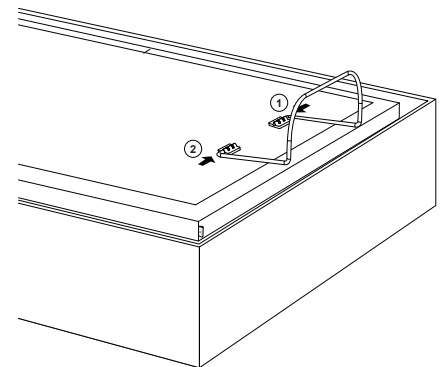
Installation method 1:
(Exclusively for BEDGEAR Mattresses)

Insert the flat mattress retainer bar into the securing strap at the bottom of the BEDGEAR mattress and then snap it into the mattress retainer mounts.

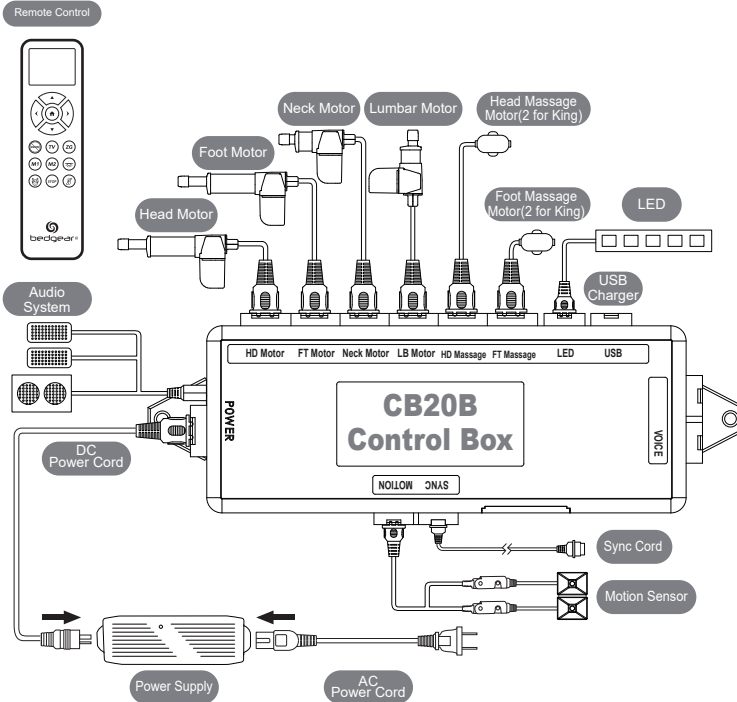


Installation method 2:

Alternatively, install the mattress retainer bar one side after another for non-BEDGEAR mattresses.



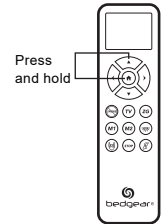
Electronics Quick Reference Guide



If simultaneous operation of two foundations is desired, please follow the steps listed below.
 Note the sync cord is needed to control two foundations with mobile APP, follow the "Synchronizing Two Foundations with Sync Cord" instruction to install the sync cord or follow the "Wireless Syncing Instruction."

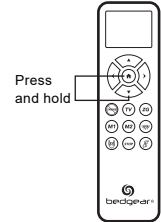
Wireless Syncing Instruction

- STEP 1: Make sure both remotes are individually paired to the foundation. If the remote is not paired with the foundation, follow the pairing instructions.
- STEP 2: Make sure both foundations are at home (flat position).
- STEP 3: Press and hold ▲ and Ⓞ on both remotes at the same time for 8 seconds until the LCD screen shows **SYNC**.



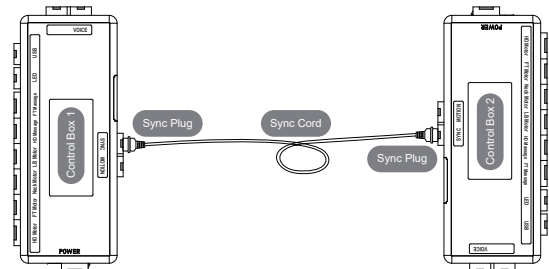
UN-SYNC Two Foundations

Press and hold ▼ and Ⓞ on both remotes at the same time for 8 seconds, until the LCD screen flashes and shows **UNSYNC**.

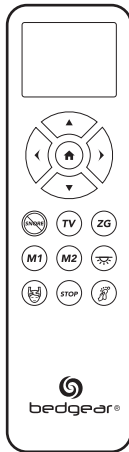


Synchronizing Two Foundations with Sync Cord


- STEP 1: Unplug foundations from the power source.
- STEP 2: Connect the male ends of the sync cord to the female sync plugs of the control boxes (Refer to illustration).
- STEP 3: Plug foundations back into the power source.
- STEP 4: Check to ensure all cords are securely attached. Either remote will operate both foundations simultaneously.




Remote Control Instructions




SELECT BUTTON


 Press these two buttons to select Head/Foot/Neck/Lumbar zone.


ADJUST

 This button lifts the Head/Foot/Neck/Lumbar section of the foundation.

 This button lowers the Head/Foot/Neck/Lumbar section of the foundation.

MASSAGE FEATURES

 Turn on the head massage. Cycle through 3 massage intensities.


 Turn on the foot massage. Cycle through 3 massage intensities.

STOP Turn off the head/foot massage.


SETTING PROGRAMMABLE POSITION


M1
M2 One-touch programmable positions.

UNDER BED LIGHTING

 Under bed LED lighting on/off.

ONE TOUCH BUTTON

 One-touch ANTI-SNORE preset position.

 One-touch flat position.

TV One-touch TV preset position.

ZG One-touch ZERO G preset position. ZERO G adjusts your legs to a higher level than your heart, helping to relieve pressure of the lower back and promote circulation.

Pairing Remote

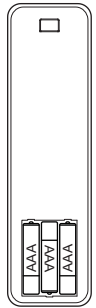
The original remote that comes in the box is already paired to the foundation. No further action is required. In the event when the remote is not paired with the foundation, follow the pairing instructions below.

STEP 1: Make sure the batteries are good. Replace them when needed.

STEP 2: Unplug the power cord from the power source. If 9V backup batteries were installed in the power supply, remove them.


STEP 3: Press and hold Select buttons (◀ and ▶) until the LCD screen of the remote control shows PAIR.

STEP 4: Plug the power cord back into the power source. The LCD screen on the remote control shows "PASS", and you will hear an activation sound in 2 seconds indicating the remote is paired to the power foundation.



Setting Programmable Position

STEP 1: Adjust the head and foot to your desired position.

STEP 2: Press and hold the LED button  for about 5 seconds until the screen shows SAVE, then press programmable buttons **M1** or **M2**, until you hear 2 beep sounds.

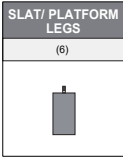
STEP 3: To save a new position, repeat step 1 and 2 and the new position will be saved.

BATTERY LEVEL



The battery icon in the upper-right corner shows the battery level, replace the batteries when the battery level is low.

Slat Pack Installation Guide (Optional)



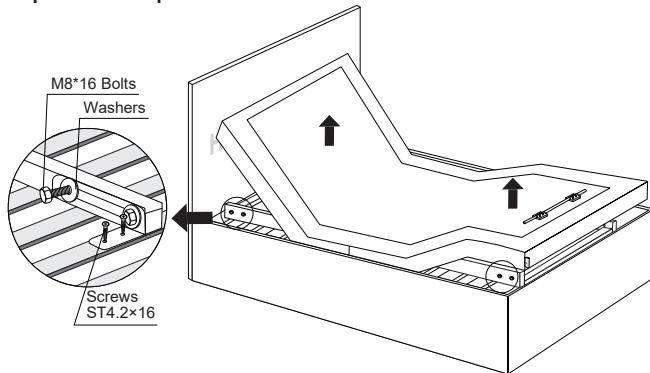
Leg Configuration Table				
Leg Configuration				
Bed Adjustable Height	7 1/2"	11 1/2"	15 1/2"	20 1/2"

Support leg may be needed on some slat/platform bed frames; refer to the leg configuration table for height adjustment.

* Make sure the adjustable legs are properly tight, and the plastic caps have been placed at the bottom of the legs. Incorrect installation might cause the part to fail or damage the floor.

STABILIZER BRACKETS COMPONENTS				
(4) Stabilizer Brackets	(8) Screws ST4.2x16	(8) Bolts M8*16	(8) Washers	(1) Socket Wrench

Stabilizer Brackets are optional and not included. They can fix the bed onto the slat base. A phillips screwdriver and socket wrench are required to complete the installation.



Lift the head and foot end of the bed by remote control. Install four stabilizer brackets as shown. Use a phillips screwdriver and socket wrench to tighten the screws and bolts.

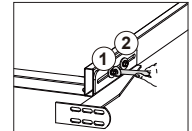
Headboard Bracket Installation Guide (Optional)

Headboard brackets are optional and not included. A 1/2" (13 mm) socket and 1/2" (13 mm) wrench are required to complete the installation.

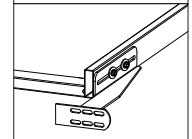
HEADBOARD BRACKET COMPONENTS				
(2) Headboard Brackets	(2) T-Brackets	(8) M8*16	(4) Nuts	(4) Washers
OPTIONAL EQUIPMENT/PART (NOT INCLUDED)				
		Socket and Wrench 1/2" (13 mm)		

STEP 1

a) Align the slot hole of the headboard bracket to the sleeve into which the leg threads. **DO NOT OVERTIGHTEN.** Too much force may damage the thread.

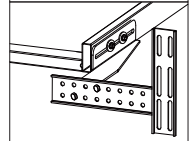
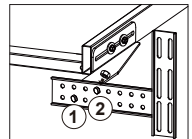


b) The headboard bracket has 2 adjustable slots to accommodate any frame type. Use the bolts and washers to secure the bracket. Make sure the bolts are tight.



STEP 2

a) To put the T-Bracket and Headboard Bracket together, you will need (2) M8x16 bolts and (2) nuts. Slip the bolts through the holes from T-Bracket to Headboard Bracket with the head of bolt facing outward. Use the 1/2" (13 mm) socket and 1/2" (13 mm) wrench to tighten the bolts.



STEP 3

You may now connect your headboard to the attachment plates using the remaining short bolts and nuts to secure it to the brackets. The heads of the bolts will face outward. Use a 1/2" (13 mm) socket and 1/2" (13 mm) wrench to tighten the bolts.

BEDGEAR Mobile APP (Optional)

General Information

BEDGEAR Mobile APP is a mobile application to control the BEDGEAR Adjustable Base with mobile devices. The application is available for both IOS and Android based smart devices.

The BEDGEAR Mobile APP uses Bluetooth technology to communicate with your BEDGEAR Adjustable Base. Make sure your mobile device(s) have Bluetooth capability for the APP to work correctly.

Install the BEDGEAR APP

IOS



- Open APP Store on your IOS device
- Tap the Magnify Glass Icon and search with the keyword **bedgear**
- Tap on **GET** and **INSTALL** to install the APP
- Wait for the download/installation to be complete

Android



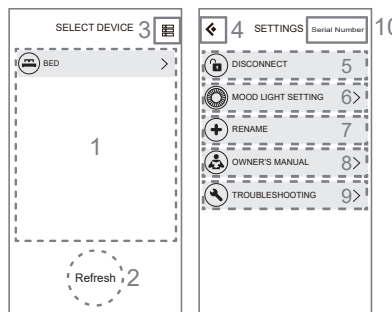
- Open Google Play on your Android device.
- Tap the Magnify Glass Icon and search with the keyword **bedgear**
- Tap on **GET** and **INSTALL** to install the APP
- Wait for the download/installation to be complete

Device Pairing

Before you start, switch on Bluetooth on your mobile device. Make sure your BEDGEAR Adjustable Base is correctly connected and is power-on.

The BEDGEAR APP will automatically pair your BEDGEAR Adjustable Base once you start the APP and does not require additional settings.

BEDGEAR APP Home Screen



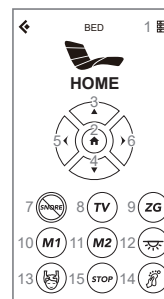
Home Screen

Settings Page

Home Screen	
1	List of BEDGEAR Products within the connection range*
2	Tap the Refresh Button to refresh the BEDGEAR Products List
3	Enter the Settings Page
Settings Page	
4	Back to the Home Screen
5	Disconnect from the paired BEDGEAR Product
6	Choose the light colors, and set up the motion sensor timer
7	Rename your BEDGEAR Adjustable Base of your choice
8	Owner's Manual Page
9	Troubleshooting
10	Serial Number of the control box

* The effective connection range is $\pm 10m$

BEDGEAR APP Remote Control

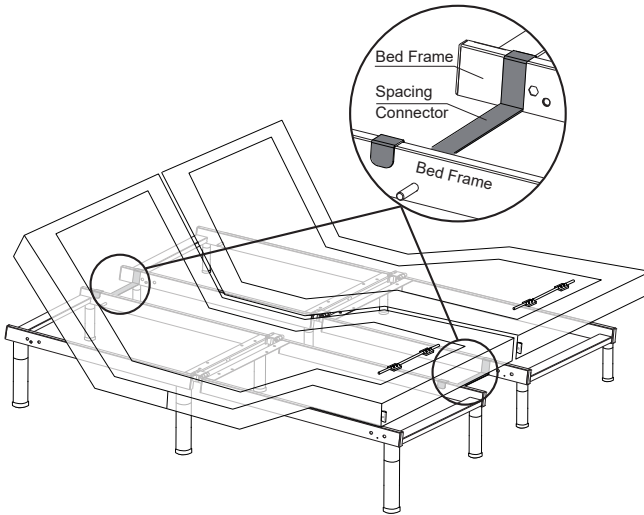
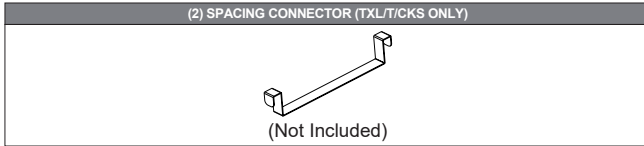


* Remote interface varies in between different BEDGEAR Adjustable Base models. If you wish to disconnect from the current paired Adjustable Base, Enter the Settings Page and tap the Disconnect button.

Remote Control	
1	Enter the Settings Page
2	One touch flat position
3	Lifting function
4	Lowering function
5	Select Head, Foot, Neck or Lumbar section
6	Select Head, Foot, Neck or Lumbar section
7	Anti-Snore Preset Position
8	TV Position
9	Zero G Preset Position
10	Programmable Position 1
11	Programmable Position 2
12	Under Bed Lighting
13	Head Massage (3 different intensities)
14	Foot Massage (3 different intensities)
15	Massage Off Button

Spacing Connector for TXL/T/CKS (Optional)

Install two spacing connectors to ensure the gap between the two adjustable bases is consistent.



Lift the head and foot end of the bed by remote control. Install the spacing connector as shown.

Audio System

Pairing Instruction

1. Once power is supplied, the audio kit begins to search for a device to pair with automatically. It keeps searching until it pairs with another device successfully. It can only pair with one device at a time. If you want to pair with a different device, disconnect the paired device, before connecting with the new device.
2. The audio kit can be controlled via the paired device.
3. Description of device: REMO4.11
4. Connection range: 26 ft.

Frequently Asked Questions

Description of problem	Possible cause, correction & maintenance
No sound	The volume is on minimum; Audio System not paired properly; Please contact the store or customer service.
Audio System cannot be paired	Restart your power base; Do not attempt to pair the device behind a wall; Make sure you're pairing the device within the working distance (26 ft).

PRODUCT PROTECTED BY FOLLOWING PATENT:
— US PATENT: 10, 306, 994

Customer Service Toll Free: 631-414-7763