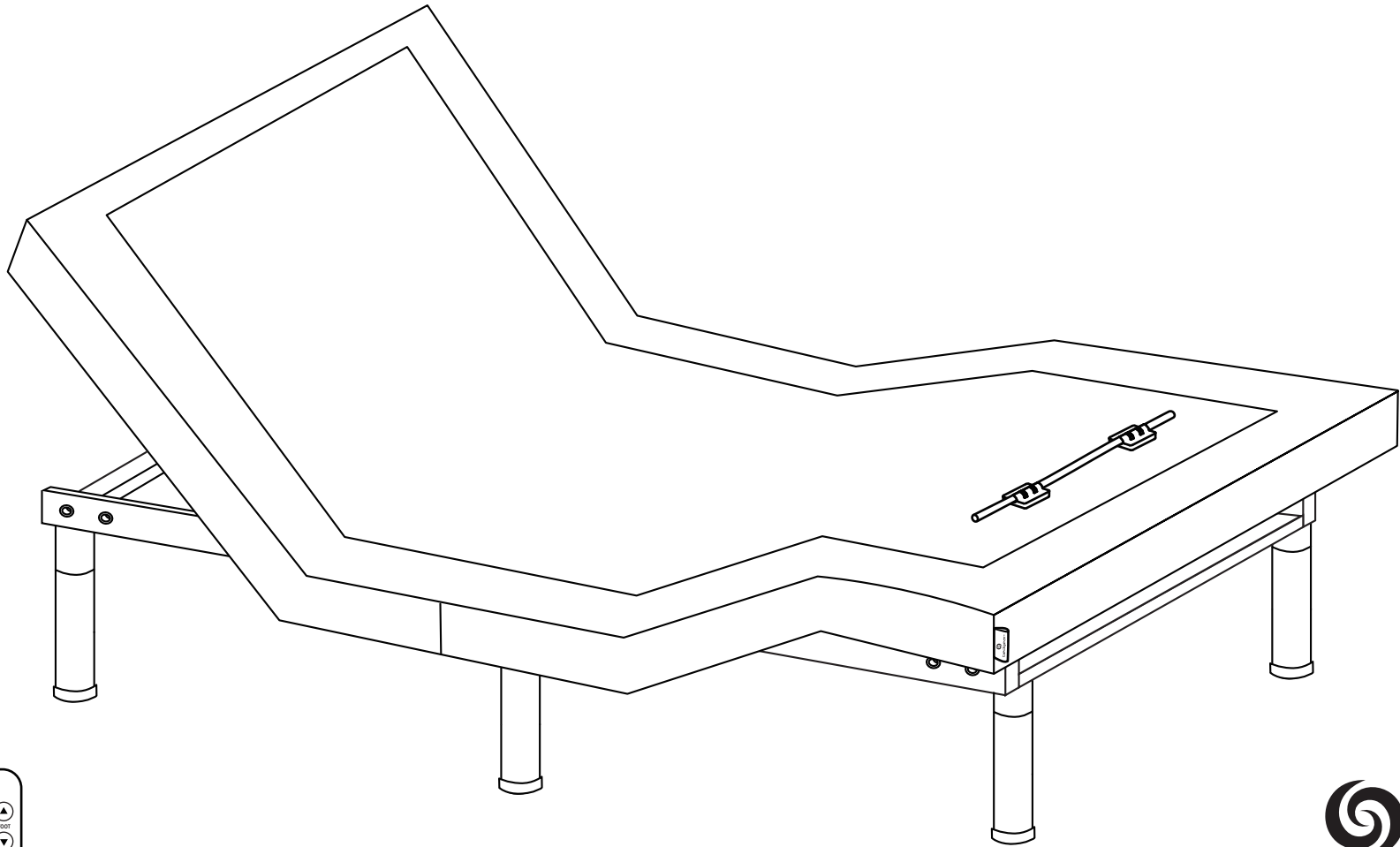


FLEX LS™ OWNER'S MANUAL



budgear®


FLEX LS™ ADJUSTABLE BASE

LPB11WM Rev 1.0 07/2021

Safety & Warranty Warnings


IMPORTANT SAFETY NOTICE: READ CAREFULLY BEFORE BEGINNING ASSEMBLY!

- Always use proper tools.
 - Follow the assembly steps in order. Do not skip any steps.
 - Be sure to check all packing materials carefully for small parts may have come loose inside the carton during shipment. If parts are missing, contact the retailer from which you purchased the product to obtain any missing parts.
- DO NOT USE SUBSTITUTE PARTS.
- Periodically check to ensure that all connectors (bolts, screws, etc.) are tight.
 - Keep the instructions for future reference.
 - Always make sure the electrical cord is unplugged before assembly and be careful not to twist the electrical cord during assembly.

 **NOTE:** BEDGEAR DISCLAIMS ANY LIABILITY FOR DAMAGES OR INJURIES WHICH MAY OCCUR DUE TO FAILURE TO PROPERLY FOLLOW ASSEMBLY INSTRUCTIONS, PROPERLY ASSEMBLE THE PRODUCT, OR PROPERLY USE THE PRODUCT.




NOTE: YOUR UNIT MAY LOOK DIFFERENT IN APPEARANCE FROM THE ONE SHOWN IN THE ILLUSTRATIONS ON THIS INSTRUCTION SHEET.

CAREFULLY READ THE FOLLOWING INFORMATION BEFORE USING THIS PRODUCT

 Failure to read, understand and follow all warnings and instructions may result in property damage, personal injury or death. If unable to understand warnings, cautions, and/or instructions, contact the dealer or technical personnel if applicable, before attempting to assemble, install or use the equipment.

SAFETY WARNINGS:

- Do not use adjustable base outdoors.
- Do not use adjustable base near any flammable chemicals, vapors or compounds.
- This appliance is not intended for use by persons (including children) with reduced physical, sensory or mental capabilities, or lack of experience and knowledge, unless they have been given supervision or instructions concerning use of the appliance by a person responsible for their safety.
- Do not allow any person or pet under the adjustable base at any time.
- During bed operation, make sure body is positioned within the confines of the bed.

   **WARNINGS:** Clear area below adjustable base before lowering the base to reduce risk of injury or death.

WARNING:

- Keep bed in a flat position when not in use.
- Stay clear of moving parts while in motion.
- Before adjusting, make sure children and pets are clear of moving parts and are not under bed base.
- Do not allow children to operate bed base without adult supervision.
- Always unplug the base from the electrical outlet before servicing any part of the base. To reduce risk of electric shock, unplug the base before cleaning. To safely disconnect, ensure the base is in a flat position with all motors off, and unplug from power source.
- For optimal safety and operation, plug bed base into a surge protector (not included). The bed base should only be plugged directly into a grounded wall outlet or surge protector (strongly recommended). Improper connection of the equipment can result in the risk of electrical shock, electrical fire or faulty operation of this bed base. If the plug does not fit your outlet, contact a qualified Electrician to install a suitable outlet.

PETS AND CHILDREN:

Immediately dispose of all packing materials as it may pose a smothering risk to small children and pets. To avoid injury, it is not advised to allow children and small pets to play on or under the bed. Children should not operate the bed base without adult supervision.

PACEMAKERS:

Some products contain Neodymium MAGNETS which may interfere with devices such as pacemakers, ICD's and any other device sensitive to magnetic fields. It is STRONGLY recommended that owners of such medical devices consult their physician prior to using products that contain Neodymium MAGNETS. It is also possible that some pacemakers may falsely interpret the optional massage feature vibrations as movement/exercise. This is a common occurrence with any product that creates a vibrating movement and may not affect the pacemaker. Please consult your physician before using the massage feature.

WARRANTY WARNINGS:

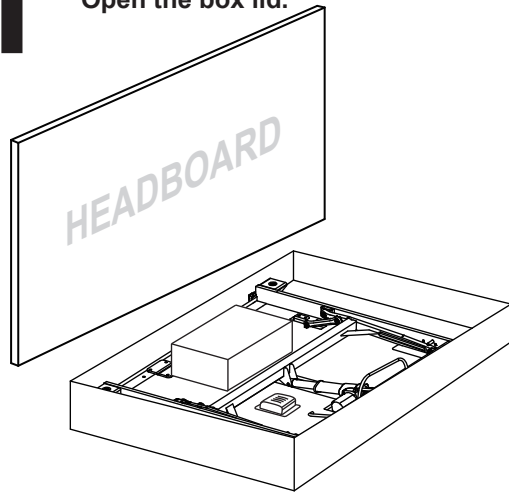
Tampering with or opening the control box, motors, or remote control (with the exception of replacing batteries) will void the warranty.

OPERATING INFORMATION:

- After adjustable base assembly is completed, operate remote control to ensure proper functions before occupying the bed.
 - Keep moving parts free of obstruction during adjustable base operation (including sheets, clothing, tubing, wiring, and products using electric power cords).
 - Distribute body weight evenly over bed surface during operation.
- Do not operate the bed while sitting directly on the head or foot sections of the bed.

Set up the adjustable base without the bed frame.

1 Open the box lid.



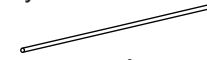
2 Take out all the accessories from the packaging and put them aside. All electronics and components that need to be installed are located in boxes under the foundation or attached to the frame. Before discarding the packing materials, ensure that all the parts are accounted for.

Mattress Retainer Bar



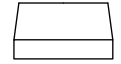
x1(2 for K/CK)

Flat Mattress Retainer Bar
(Exclusively for BEDGEAR Mattresses)



x1

Accessories Box



x1

ACCESSORIES BOX:

Adjustable Legs



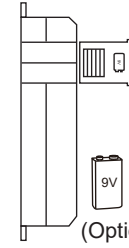
x6

Remote Control



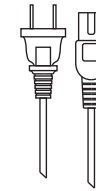
x1

Power Supply with
Battery Backup Box



x1

AC
Power Cord



x1

Sync Cord
(TXL/T/CKS Only)



x1

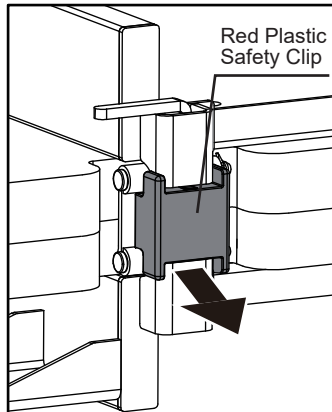
AAA
Batteries



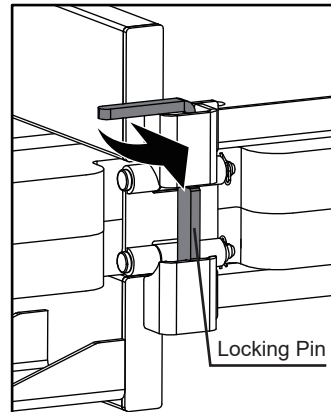
x3

3 Remove the red plastic safety lock before unfolding your adjustable base.

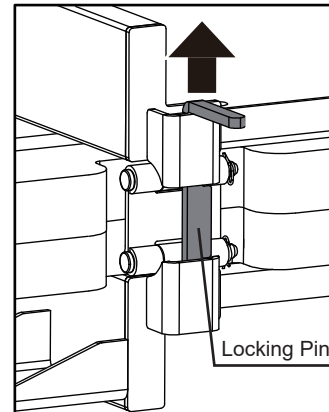
Remove the red plastic safety clip.



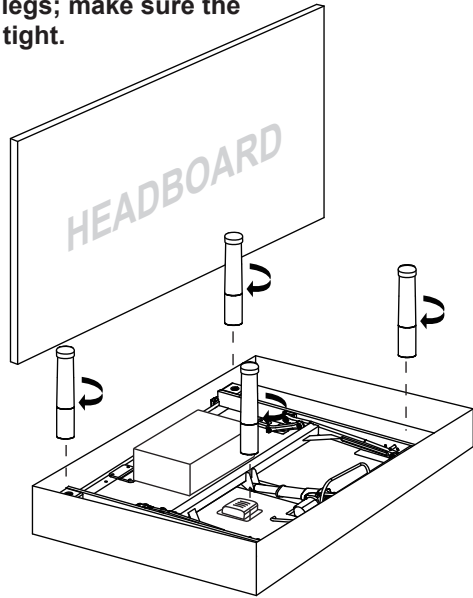
Turn the locking pin 90° in counter clockwise direction.



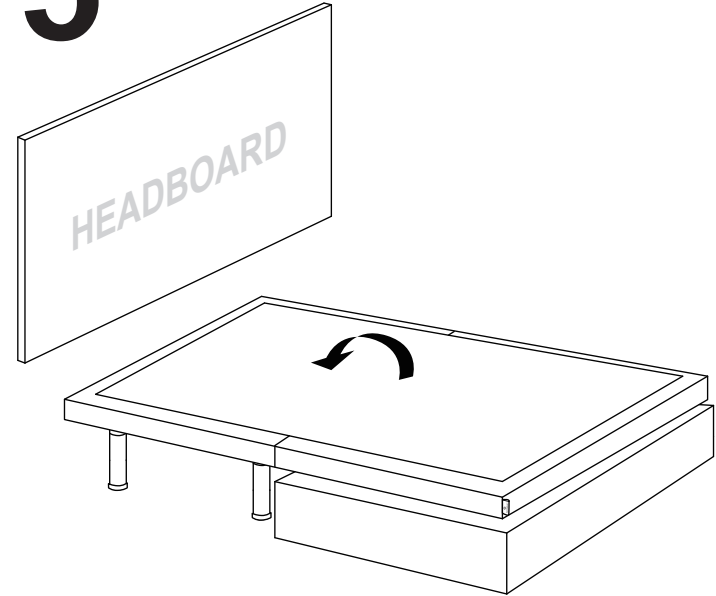
Remove the folding locking pin by pulling upward.



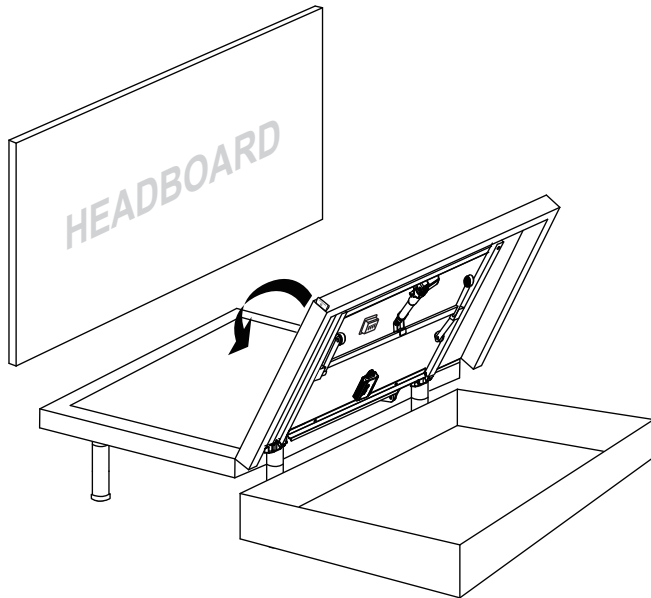
4 Install 4 legs; make sure the legs are tight.



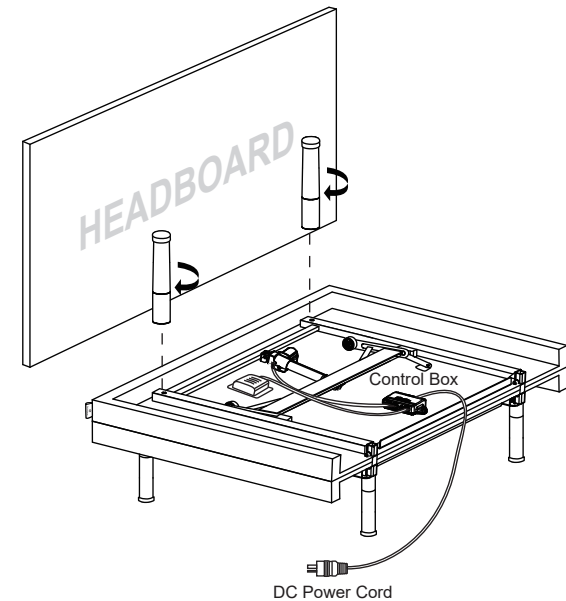
5 Remove the bed from the box with a flipping motion; let the bed stand on the 4 legs.



6 Flip the foot end of the bed from the box and lay it on top of the end at the headboard.

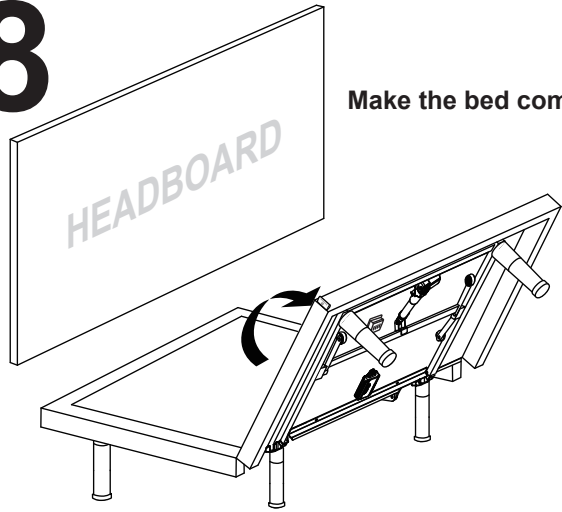


7 Install the remaining 2 legs on the foot end of the bed; make sure the legs are tight. Uncoil the DC power cord (connected to the control box) and put it to the side of the bed.



8

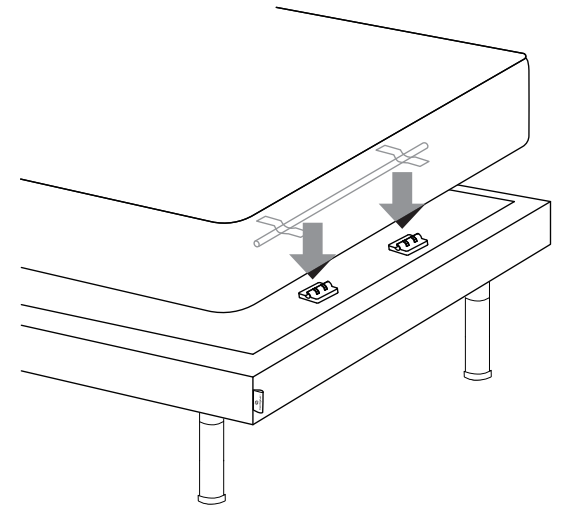
Make the bed completely flat.



9

Installation method 1:
(Exclusively for BEDGEAR Mattresses)

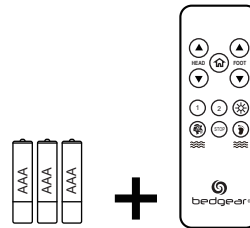
Insert the flat mattress retainer bar into the securing strap at the bottom of the BEDGEAR mattress and then snap it into the mattress retainer mounts.



10

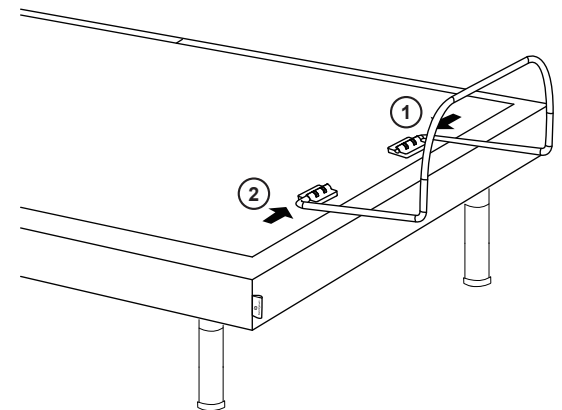
Uncoil the AC power cord, connect the DC power cord to the power supply and then connect the power supply to the AC power source.

Insert the batteries into the remote control.

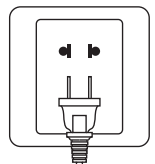


Installation method 2:

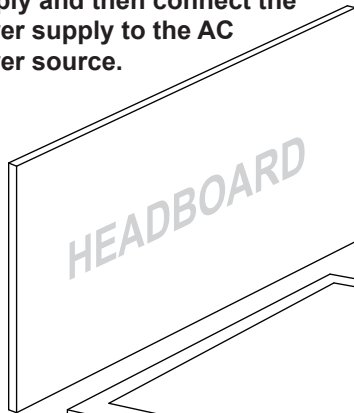
Alternatively, install the mattress retainer bar one side after another for non-BEDGEAR mattresses.



AC Power Source



AC Power Cord



Power Supply

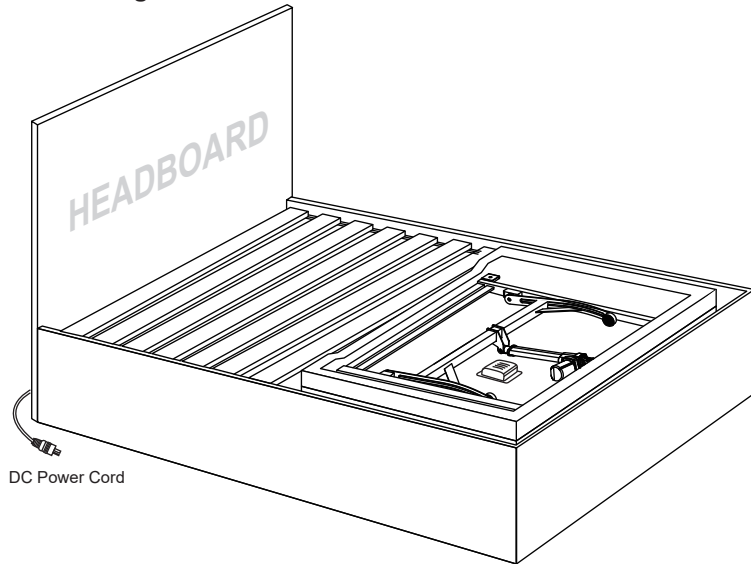


DC Power Cord

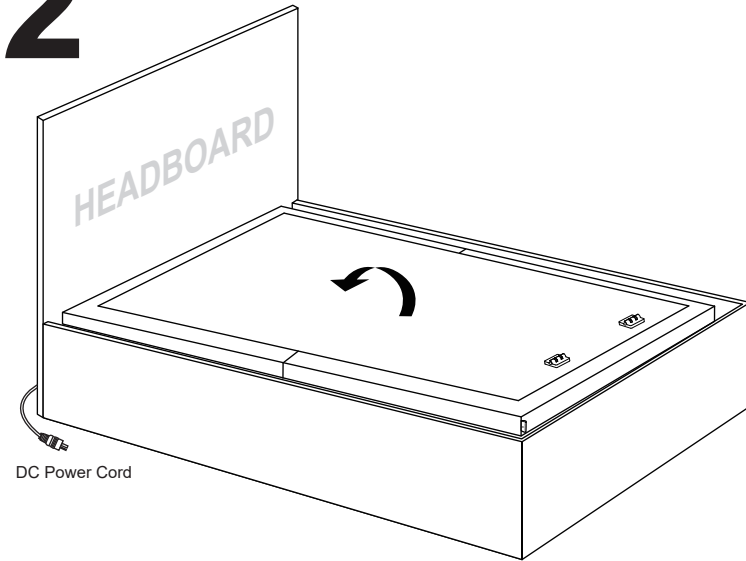
DONE!

Set up the adjustable base with the bed frame and slat base.

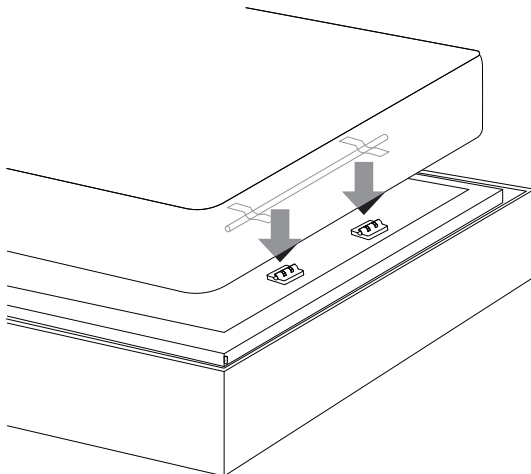
- 1** Take the bed out of the box, put it on the slat base and do not install any legs. Uncoil the DC power cord (connected to the control box) and pull the DC power cord toward the direction of the AC power source through either the bottom or the side of the bed frame.



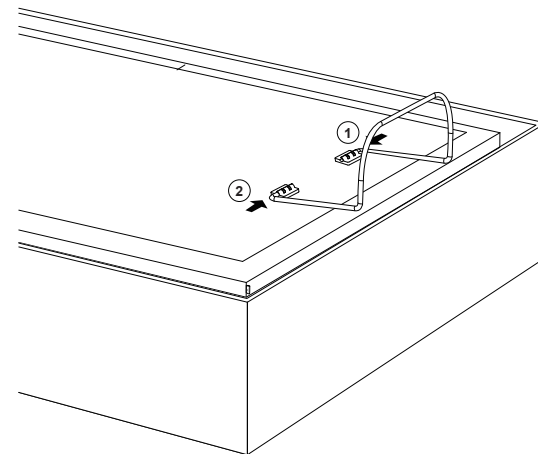
- 2** Make the bed completely flat with a flipping motion.



- 3** **Installation method 1:**
(Exclusively for BEDGEAR Mattresses)
- Insert the flat mattress retainer bar into the securing strap at the bottom of the BEDGEAR mattress, and then snap it into the mattress retainer mounts.



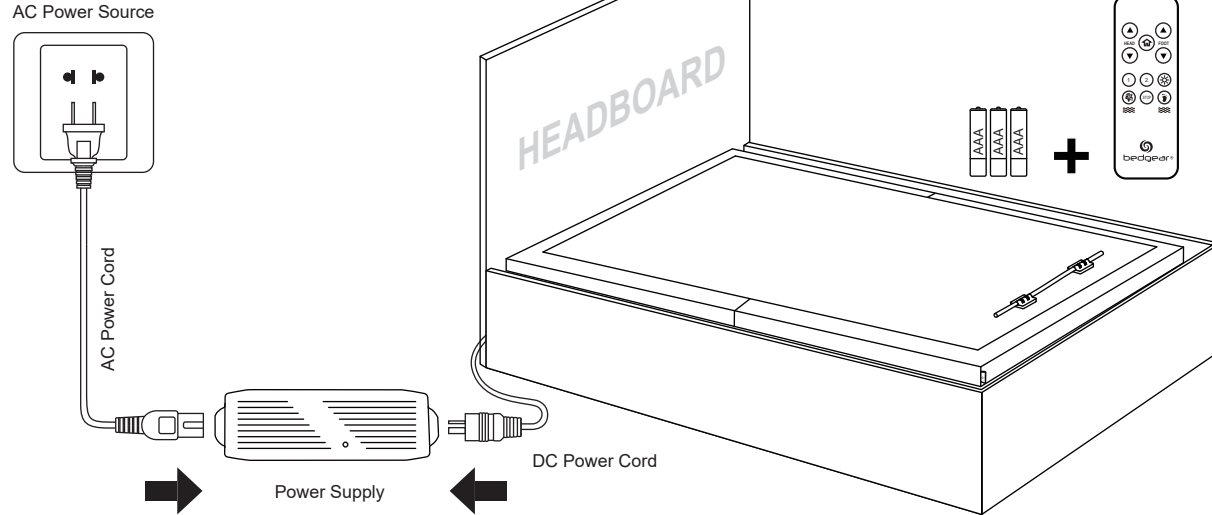
- Installation method 2:**
- Alternatively, install the mattress retainer bar one side after another for non-BEDGEAR mattresses.



4

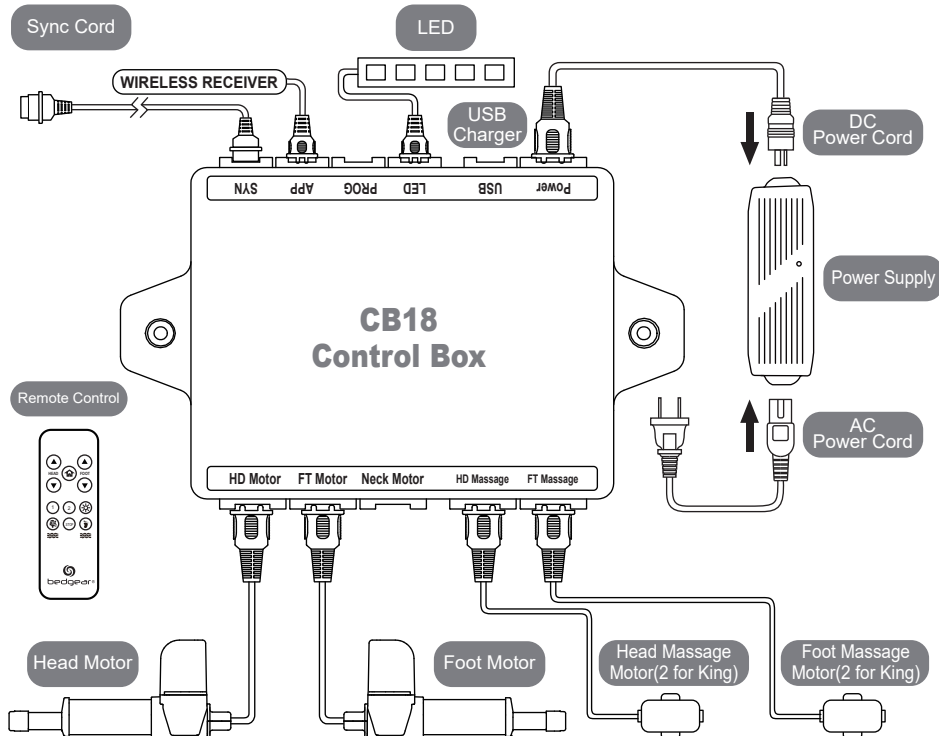
Uncoil the AC power cord, connect the DC power cord to the power supply and then connect the power supply to the AC power source.

Insert the batteries into the remote control.



DONE!

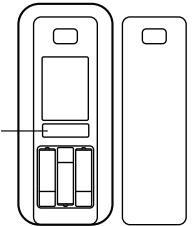
Electronics Quick Reference Guide



If simultaneous operation of two foundations is desired, please follow the steps listed below.

Sync cable is not required if both adjustable bases are equipped with V2.0 or newer remote controls. If the bases are equipped with V2.0 remote controls, follow the "Wireless Syncing Instruction".

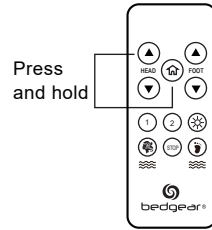
Model No.:*****
***** V2.0



If the adjustable bases are not equipped with V2.0 or newer remote controls, follow the "Synchronizing Two Foundation with Sync Cord instruction."

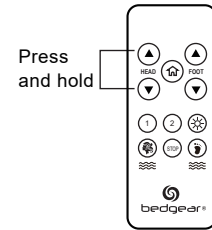
Wireless Syncing Instruction

- STEP 1: Make sure both remotes are individually paired to the foundation. If the remote is not paired with the foundation, follow the pairing instructions.
- STEP 2: Make sure both foundations are at home (flat position).
- STEP 3: Press and hold **HEAD** (▲) and (🏠) on both remotes at the same time for 5 seconds, or/until the blue **BACK LIGHTS FLASH**.



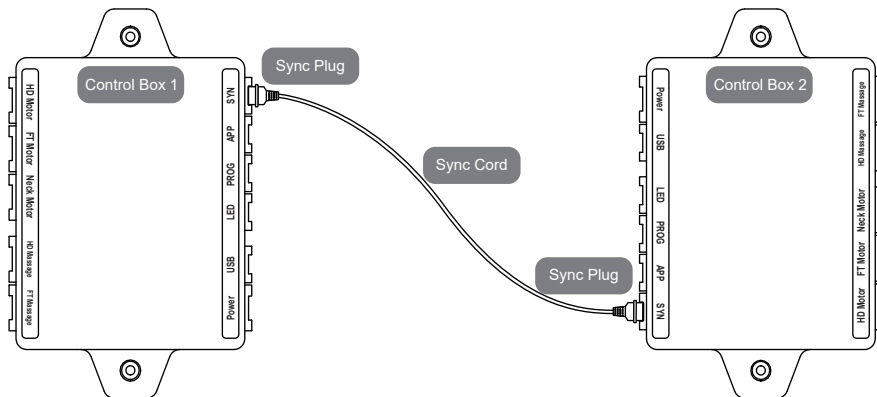
UN-SYNC Two Foundations

- Press and hold **HEAD** (▲) and **HEAD** (▼) on both remotes at the same time for 5 seconds, or/until the blue **BACK LIGHTS FLASH**.

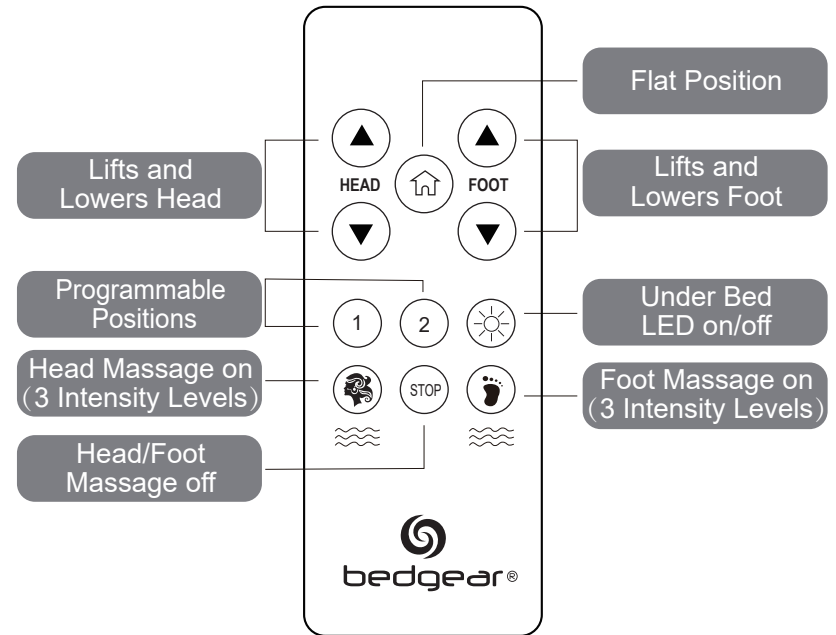


Synchronizing Two Foundations with Sync Cord

- STEP 1: Unplug foundations from the power source.
- STEP 2: Connect the male ends of the sync cord to the female sync plugs of the control boxes (Refer to below illustration).
- STEP 3: Plug foundations back into the power source.
- STEP 4: Check to ensure all cords are securely attached. Either remote will operate both foundations simultaneously.



Remote Control Instructions



ADJUST

- ▲ This button lifts the Head/Foot/Neck section of the base.
- ▼ This button lowers the Head/Foot/Neck section of the base.

ONE TOUCH BUTTON

- (🏠) One-touch flat position.
- 1 One-touch programmable positions.
- 2 One-touch programmable positions.

MESSAGE FEATURES

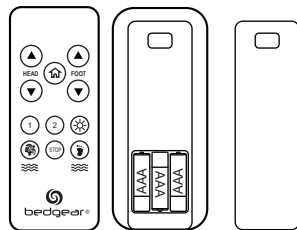
- (👤) Turn on the head massage. Cycle through 3 massage intensities.
- (👣) Turn on the foot massage. Cycle through 3 massage intensities.
- (STOP) Turn off the head/foot massage.

UNDERNEATH LED LIGHTING

- (☀️) One-touch underneath LED lighting on/off.

Pairing Remote

The original remote that comes in the box is already paired to the foundation. No further action is required. In the event when the remote is not paired with the foundation, follow the pairing instructions below.



STEP 1: Make sure the batteries are good. Replace them when needed.

STEP 2: Unplug the power cord from the power source. If 9V backup batteries were installed in the power supply, remove them.

STEP 3: Press and hold **HEAD** (down arrow) and (power) simultaneously until the blue backlights of the remote control are off.

STEP 4: Plug the power cord back into the power source. You will hear an activation sound in 2 seconds, indicating the remote is paired to the adjustable base.

Setting Programmable Position

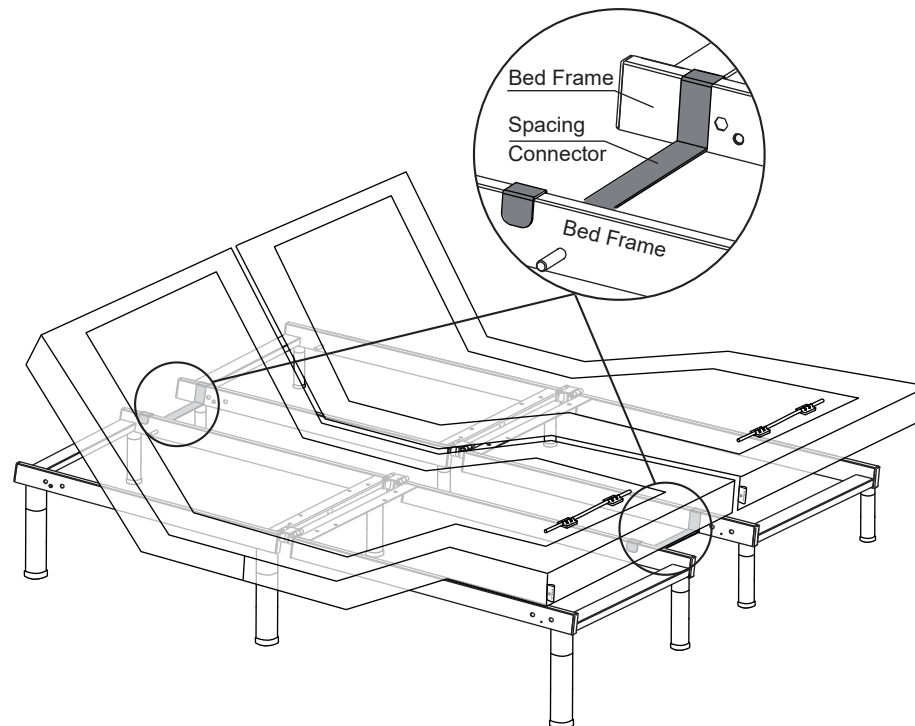
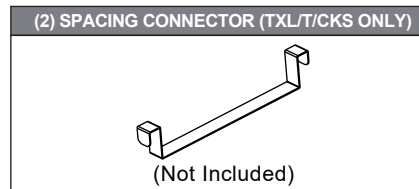
STEP 1: Adjust the head and foot to your desired position.

STEP 2: Press and hold the **LED** on/off button (star) first, then press and hold one of the picture programmable buttons (1) (2) for 5 seconds until you hear a beep sound. The position is then saved.

STEP 3: To adjust a saved position, repeat step 1 and 2 and the new position will be saved.

Spacing Connector for TXL/T/CKS (Optional)

Install two spacing connectors to ensure the gap between the two adjustable bases is consistent.



Lift the head and foot end of the bed by remote control. Install the spacing connector as shown.

Slat Pack Installation Guide (Optional)

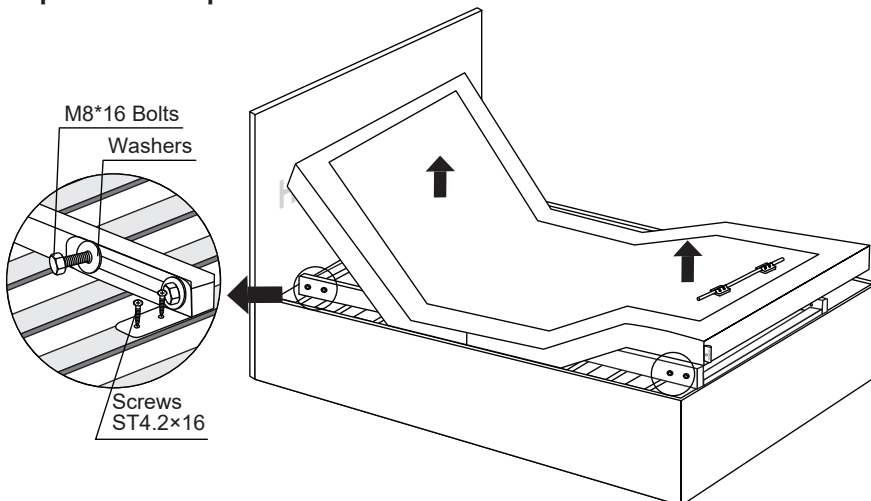
SLAT/ PLATFORM LEGS	Leg Configuration Table				
(6)					
Leg Configuration					
Bed Adjustable Height	7½"	11½"	15½"	19½"	23½"

Support leg may be needed on some slat/platform bed frames; refer to the leg configuration table for height adjustment.

* Make sure the adjustable legs are properly tight, and the plastic caps have been placed at the bottom of the legs. Incorrect installation might cause the part to fail or damage the floor.

STABILIZER BRACKETS COMPONENTS				
(4) Stabilizer Brackets	(8) Screws ST4.2×16	(8) Bolts M8*16	(8) Washers	(1) Socket Wrench

Stabilizer Brackets are optional and not included. They can fix the bed onto the slat base. A phillips screwdriver and socket wrench are required to complete the installation.



Lift the head and foot end of the bed by remote control. Install four stabilizer brackets as shown. Use a phillips screwdriver and socket wrench to tighten the screws and bolts.

Headboard Bracket Installation Guide (Optional)

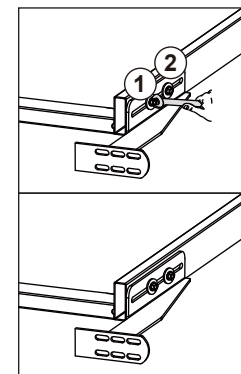
Headboard brackets are optional and not included. A 1/2" (13 mm) socket and 1/2" (13 mm) wrench are required to complete the installation.

HEADBOARD BRACKET COMPONENTS				
(2) Headboard Brackets	(2) T-Brackets	(8) M8*16	(4) Nuts	(4) Washers
OPTIONAL EQUIPMENT/PART (NOT INCLUDED)				
 Socket and Wrench 1/2" (13 mm)				

STEP 1

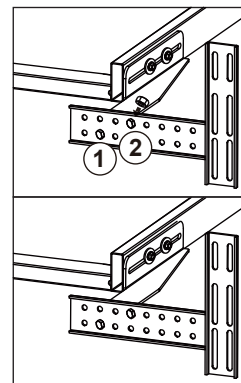
a) Align the slot hole of the headboard bracket to the sleeve into which the leg threads. **DO NOT OVERTIGHTEN.** Too much force may damage the thread.

b) The headboard bracket has 2 adjustable slots to accommodate any frame type. Use the bolts and washers to secure the bracket. Make sure the bolts are tight.



STEP 2

a) To put the T-Bracket and Headboard Bracket together, you will need (2) M8×16 bolts and (2) nuts. Slip the bolts through the holes from T-Bracket to Headboard Bracket with the head of bolt facing outward. Use the 1/2" (13 mm) socket and 1/2" (13 mm) wrench to tighten the bolts.



STEP 3

You may now connect your headboard to the attachment plates using the remaining short bolts and nuts to secure it to the brackets. The heads of the bolts will face outward. Use a 1/2" (13 mm) socket and 1/2" (13 mm) wrench to tighten the bolts.

BEDGEAR Mobile APP (Optional)

General Information

BEDGEAR Mobile APP is a mobile application to control the BEDGEAR Adjustable Base with mobile devices. The application is available for both iOS and Android based smart devices.

The BEDGEAR Mobile APP uses Bluetooth technology to communicate with your BEDGEAR Adjustable Base. Make sure your mobile device(s) have Bluetooth capability for the APP to work correctly.

Install the BEDGEAR APP

IOS



- Open APP Store on your IOS device
- Tap the Magnify Glass Icon and search with the keyword **bedgear**
- Tap on **GET** and **INSTALL** to install the APP
- Wait for the download/installation to be complete

Android



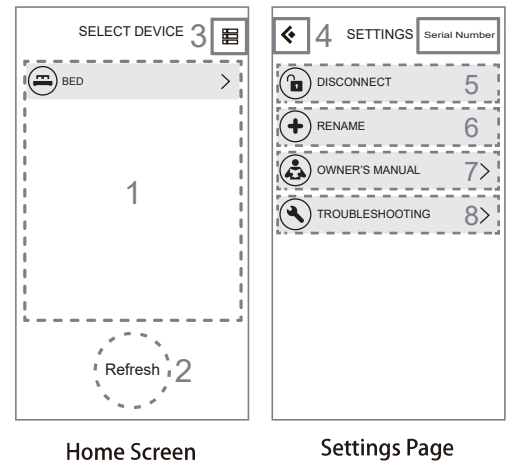
- Open Google Play on your Android device.
- Tap the Magnify Glass Icon and search with the keyword **bedgear**
- Tap on **GET** and **INSTALL** to install the APP
- Wait for the download/installation to be complete

Device Pairing

Before you start, switch on Bluetooth on your mobile device. Make sure your BEDGEAR Adjustable Base is correctly connected and is power-on.

The BEDGEAR APP will automatically pair your BEDGEAR Adjustable Base once you start the APP and does not require additional settings.

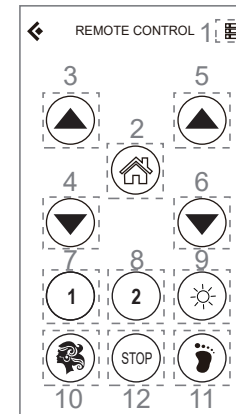
BEDGEAR APP Home Screen



Home Screen	
1	List of BEDGEAR Products within the connection range*
2	Tap the Refresh Button to refresh the BEDGEAR Products List
3	Enter the Settings Page
Settings Page	
4	Back to the Home Screen
5	Disconnect from the paired BEDGEAR Product
6	Rename your BEDGEAR Adjustable Base of your choice
7	Owner's Manual Page
8	Troubleshooting
9	Serial Number of the control box

* The effective connection range is $\pm 10m$

BEDGEAR APP Remote Control



Remote Control	
1	Enter the Settings Page
2	One touch flat Position
3	Head Lifting function
4	Head Lowering function
5	Foot Lifting function
6	Foot Lowering function
7	Programmable Position 1
8	Programmable Position 2
9	Under Bed Lighting
10	Head Massage (3 different intensities)
11	Foot Massage (3 different intensities)
12	Message Off Button

* Remote interface varies in between different BEDGEAR Adjustable Base models. If you wish to disconnect from the current paired Adjustable Base, Enter the Settings Page and tap the Disconnect button.

PRODUCT PROTECTED BY FOLLOWING PATENT:
— US PATENT: 10, 306, 994

Customer Service Toll Free: 631-414-7763